



---

## KEENSERT® - EPT1 POWER TOOLS

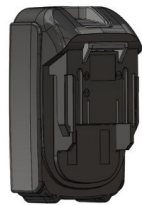
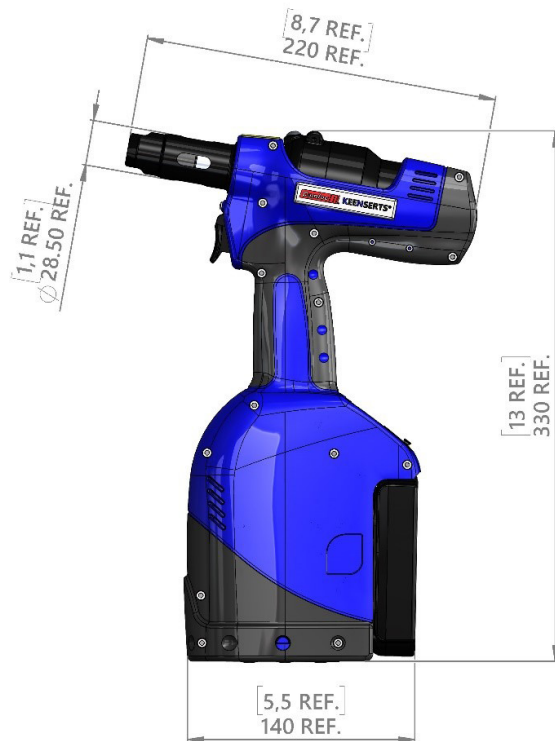
BATTERY DRIVEN TOOL FOR KEENSERT®

THREADED INSERTS

## KEENSERT® - EPT1 POWER TOOL

# BATTERY DRIVEN TOOL FOR KEENSERT® THREADED INSERTS

- The battery driven Power Tool EPT1 installs metric KEENSERT® from size M5 to M12.
- Portable tool to make installation easy in any environment.
- It is easy to operate due to the one-trigger operation.
- The installation is quick, consistent and reliable.
- The battery powered system is low maintenance, ergonomic and lightweight.
- Individual adjustments can be made using the integrated force control directly via the tool's display.
- Individual language selection via the tool's display.

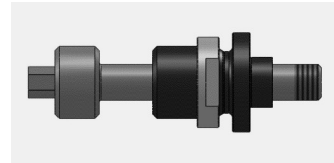


- The package includes the Power Tool EPT1, two rechargeable batteries, a charger, a tool wrench and the installation manual.
- Please Note: Next to the Power Tool EPT1 an appropriate nosepiece set for each size of KEENSERT® needs to be ordered separately.

## Technical Data

Tool	EPT1
Setting Force (Min – Max)	3,0 – 22,0 kN
Max. Spindle Stroke	7,0 mm
Tool Weight (excl. Nosepiece Set)	2,1 kg
Battery Weight	0,3 kg
Battery	Li-Ion / 14,4 V / 2,6 Ah
Vibrations	<0,672 m/s <sup>2</sup>
Sound Pressure Level LpA	0,71 dB (A)
Sound Power Level LwA	82,1 dB (A)
Temperature Range	5 °C – 40°C

## Available metric Nosepieces



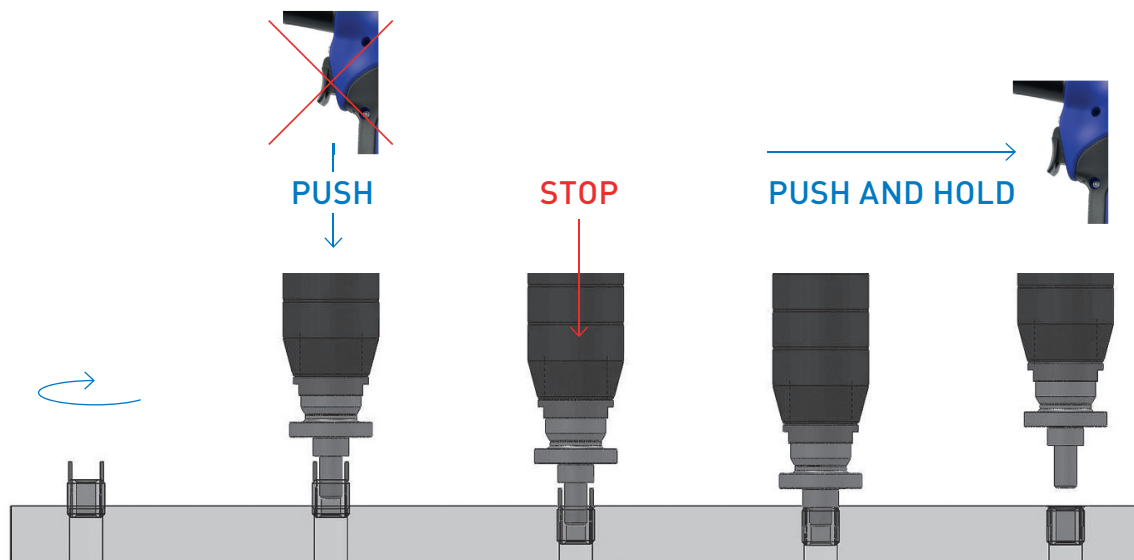
### Nosepiece Sets light duty

Keensert® Series KNM	Nosepiece Set
KNM(L)5x0,8	3352TM5X0,8AY
KNM(L)6x1	3352TM6X1,0AY
KNM(L)8x1,25	3352TM8X1,25AY
KNM(L)10x1,5	3352TM10X1,5AY
KNM(L)12x1,75	3352TM12X1,75AY

## Nosepiece Sets heavy duty

Keensert® Series KNHM	Nosepiece Set
KNHM(L)5x0,8	3352THM5X0,8AY
KNHM(L)6x1	3352THM6X1,0AY
KNHM(L)8x1,25	3352THM8X1,25AY
KNHM(L)10x1,5	3352THM10X1,5AY
KNHM(L)12x1,75	3352THM12X1,75AY

## Installation procedure



### Step 1

Screw in the KEENSERT® by hand for one to two turns.

### Step 2

Push the outer thread of the mandrel into the internal thread of the KEENSERT®. The screw-in process will start automatically. Do not press the trigger yet!

### Step 3

The screw-in operation stops automatically once the insert reaches its final position (when the thicker part of the Kees touches the countersunk surface).

### Step 4

Press the trigger for the Kees to be installed.

### Step 5

Keep the trigger pressed. After the Kees are pressed in, the mandrel will rotate counterclockwise until it has fully unscrewed from the KEENSERT®. Finally, release the trigger