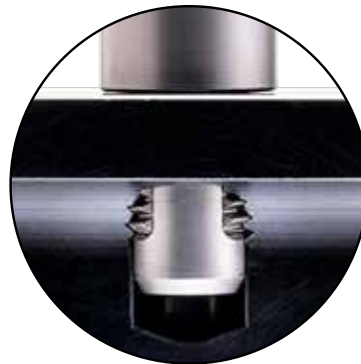


THE WORLD'S INNOVATION: THREADED LIFTING PINS FROM HALDER

Process-optimized load lifting - with safety



Ball lifting pins and threaded lifting pins are robust support elements that can be used quickly and easily and with which even heavy loads can be lifted quickly and safely. The tested ball lifting pin is already well-known and has proven itself many times in industrial use.

The threaded lifting pins, on the other hand, is a genuine innovation: only a suitable metric thread is required for fastening in the workpiece.

HOW THE THREADED LIFTING PIN WORKS

1. The movable shackle on the lifting pin is folded back.
2. At the push of a button, the support thread retracts and can be inserted into the nut thread.
3. By loosening the button, the supporting thread is anchored to the nut thread.
4. The threaded lifting pin must be screwed in by hand up to the stop.
5. The load can be lifted. It is also possible to be lifted from different angles thanks to the movable shackle.

ADVANTAGES

- Max. Load 840 kg with M16
- All you need is a matching thread
- Simple assembly at the push of a button, without screwing in
- 85% time savings during assembly and disassembly compared to eye bolts
- Easy reusability
- Safe lifting from different positions / angles
- Certified safety according to TÜV Süd / CE

THE WORLD'S INNOVATION: THREADED LIFTING PINS FROM HALDER

Process-optimized load lifting - with safety

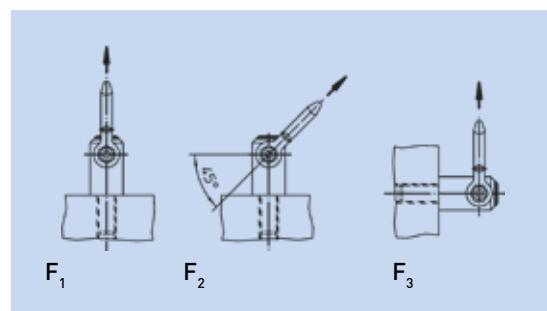
AVAILABLE VERSIONS

LIFTING CAPACITY (kN)

BN	Item number	Size	Material	F ₁	F ₂	F ₃
13400	22352.0008	M8	Quenched and tempered steel, tempered, manganese-phosphated	2.1	0.9	0.8
	22352.0010	M10		3.9	1.5	1.5
	22352.0012	M12		6.2	2.5	2.3
	22352.0016	M16		8.4	4.5	4.2
13401	22352.1008	M8	Stainless steel 1.4542, precipitation hardened	2.1	0.9	0.8
	22352.1010	M10		3.9	1.5	1.5
	22352.1012	M12		6.2	2.5	2.3
	22352.1016	M16		8.4	4.5	4.2

SAFETY FIRST

1. The product and use safety has been tested by TÜV Süd with CE marking.
2. Operating instructions with an EC declaration of conformity are enclosed with each individual threaded lifting pin.
3. Locking studs prevent unintentional unlocking.
4. There are two corrosion-resistant versions.



Further information and the operating instructions can be found on our website.

Or talk to us! Your local contact person looks forward to hearing from you.



SCAN ME

